

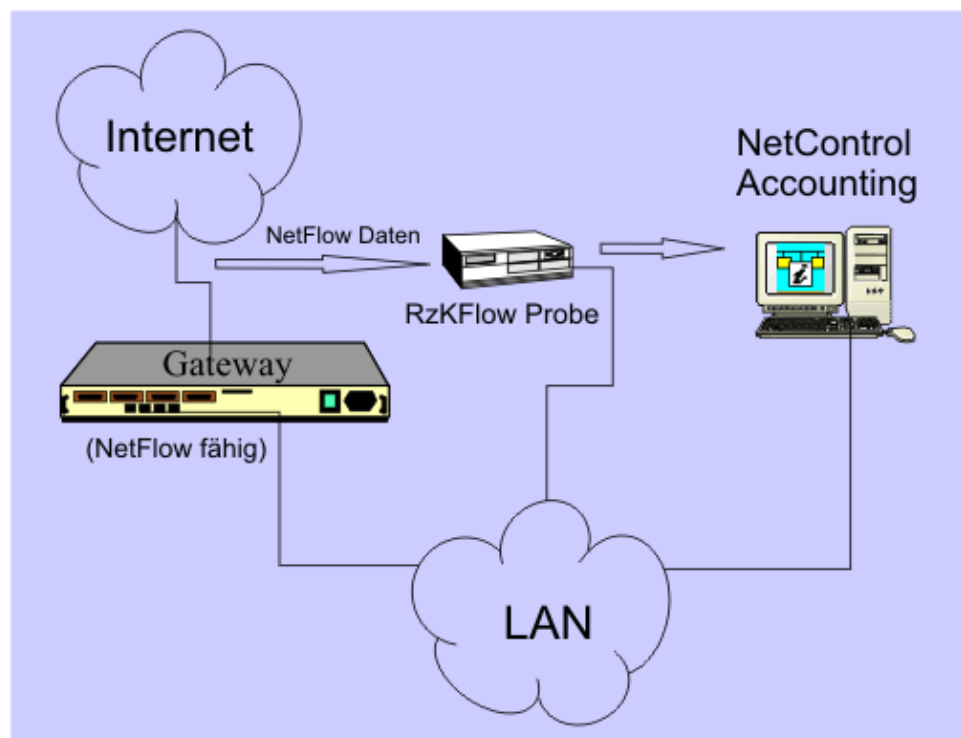
Billing / Accounting with NetControl for Windows

The Accounting option of NetControl allows to balance a customers account resp. any station for the network traffic. Depending on the networkstruktur you have different applications: here a selection of possible scenarios:

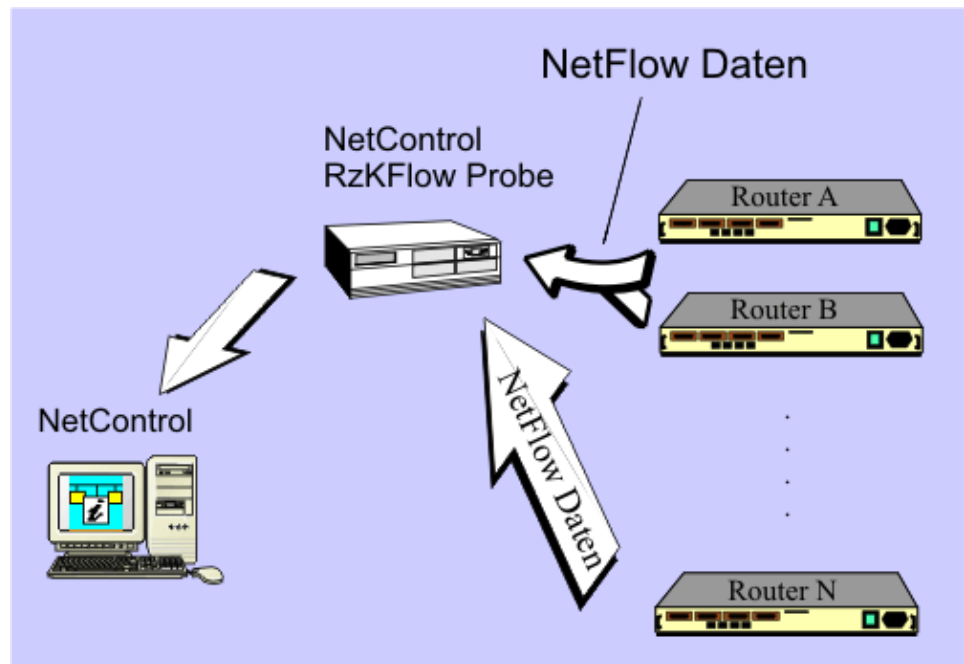
1. Accounting with NetFlow* capable switches / routers
2. NetFlow* common procedure
3. Accounting without NetFlow*

1. You use NetFlow* capable switches / routers:

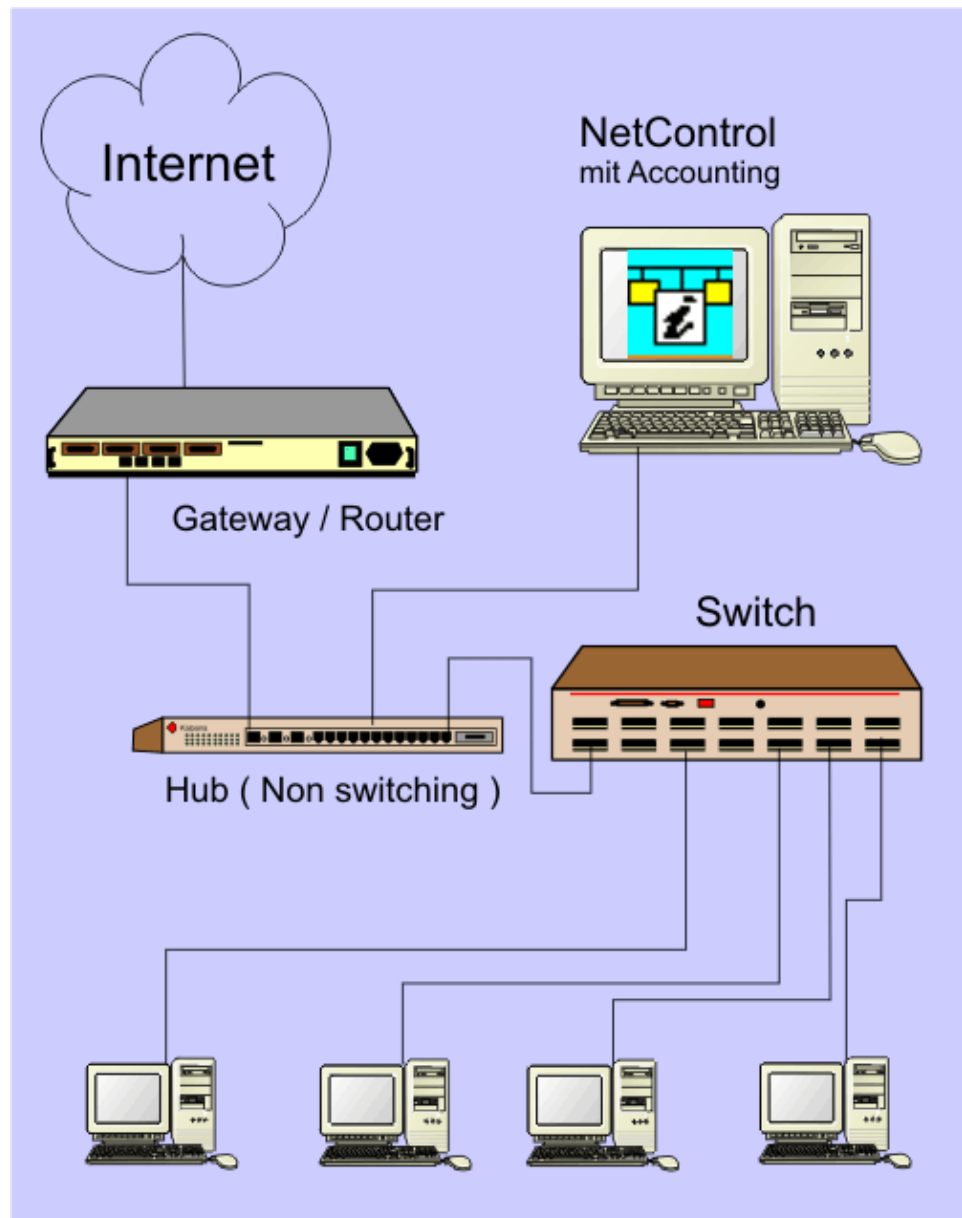
Scenario 1: You use a NetFlow* – capable router for your Internet–connection. You only want to measure the traffic to the internet.: A RzK NetFlow* probe receives the data from the NetFlow* router and forwards it to NetControl with accounting option.



Scenario 2: NetFlow* Probe common procedure: the NetFlow* probe collects the data from one or more routers or switches and forwards them to NetControl. In this case you can bill the internet connection and the traffic in your intranet and build a communicationmatrix (who exchanges how much data with whom).



Scenario 3: You don't use NetFlow* capable switches or routers – the billing is produced directly by NetControl. You have a switched network with routers / switches without NetFlow* functions. The internet connection is a single line. You simply want to measure the traffic to the internet. NetControl is connected to the internet connection via a non-switching hub. The data is being evaluated directly by NetControl. Instead of billing the uplink you could also bill from the backbone (as shared medium).



*NetFlow is a registered trademark of Cisco Inc

NetControl

- ◇ Order NetControl
- ◇ NetControl download
- ◇ Detailed information on NetControl